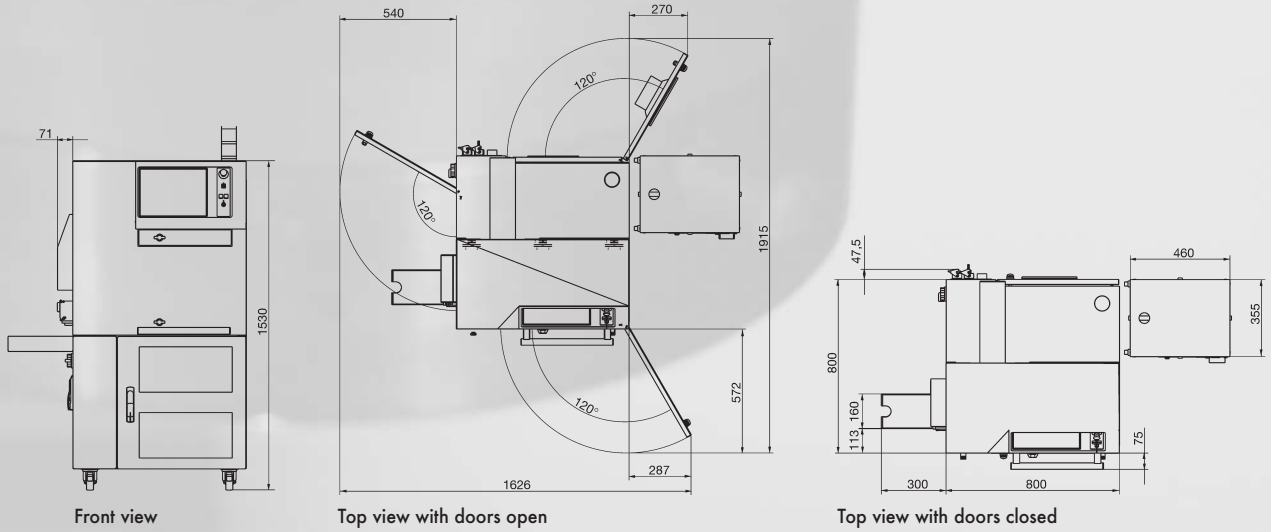


# LabelMarker Advanced

Integrated system for high-speed  
marking and cutting of labels



WE  
THINK  
LASER



## Technical Data

### Dimensions and weight

Footprint:	800 mm x 800 mm
Height:	1530 mm
Power supply handling:	400V, 3P/N/PE, 50/60Hz
Air pressure:	6 bars
Weight:	370 kg
Marking field, size:	180 mm x 114 mm (180 mm x 94 mm)

### Components

Automatic foil feeding  
 Sensors to detect: foil jam, begin and end of foil  
 Splice recognition including automatic further processing  
 Pneumatically driven knife  
 Option: OPC maintenance interface

### Label Data

Foil type:	acrylate or PET foil
Roll width:	100 or 120 mm, tolerance +/- 0.5 mm
Core diameter:	76 mm
Roll outside diameter:	max. 300 mm
Roll weight:	max. 10 kg
Foil thickness:	0.1 - 0.25 mm

### Color

RAL 7016, RAL 9002



## Your Benefits

### ■ Fast

The Label Marker Advanced offers high output through minimum marking and cutting times with a high performance laser. Full parametric control enables the marking of graphics and machine readable symbols and ensures maximum flexibility.

### ■ Compact and operator friendly

The integrated design that contains all necessary components ensures a small footprint for minimum required floorspace and maximum operating comfort due to process visualization via HMI and touch screen. A class 1 laser safety system, the LabelMarker Advanced can be used in any production area without further safety requirements.

### ■ Reliable

Manufactured to IP 54 standards, the system can be operated in tough industrial environments. It offers maximum reliability based on RoFin's extensive experience in the design, manufacture and long-term support of industrial laser marking systems.



Marking and cutting of foils

WE  
THINK  
LASER

ROFIN-SINAR Laser GmbH  
Dieselstr. 15  
85232 Bergkirchen/Günding  
Tel: +49(0)8131-704-0  
Fax: +49(0)8131-704-100  
email: info@rofin-muc.de

Carl Baasel Lasertechnik GmbH & Co. KG  
Petersbrunner Str. 1b  
82319 Starnberg  
Tel: +49(0)8151-776-0  
Fax: +49(0)8151-776-159  
email: info@baasel.de

ROFIN-SINAR Laser GmbH  
Berzeliusstr. 83  
22113 Hamburg  
Tel: +49(0)40-733 63-0  
Fax: +49(0)40-733 63-100  
email: info@rofin-ham.de

MARKING

MICRO

MACRO

**DANGER**

VISIBLE AND/OR INVISIBLE LASER RADIATION  
AVOID EXPOSURE TO DIRECT OR SCATTERED RADIATION

**NEVER LASER**

- DO NOT
- LOOK INTO
- STARE INTO
- POINT AT PEOPLE

**CLASS II LASER PRODUCT**

ALWAYS WEAR LASER SAFETY GLASSES  
CLASS II LASER RADIATION ALREADY LIMITED  
DO NOT STARE INTO BEAM  
NEVER MODIFY OR REPAIR

**WARNING !**

This is a Class II laser marking system with an embedded Class II and Class IV laser.  
Class IV precautions must be adhered to when interlocks failed or deflected and laser is operating.